

V400 / V450 COMBI - The "Best Seller"

Versatile forward plate compactor high performance

Premium asphalt plates feature a durable base plate for various applications. A true combination plate for various applications in the 85 kg weight class.

Designed for the compaction of granular and mixed materials with some cohesive content in confined areas such as parking lots, highway and bridge construction, next to structures, curbs, and abutments. This computer designed base plate has a tapered bottom and edges for high speed and excellent manoeuvrability.



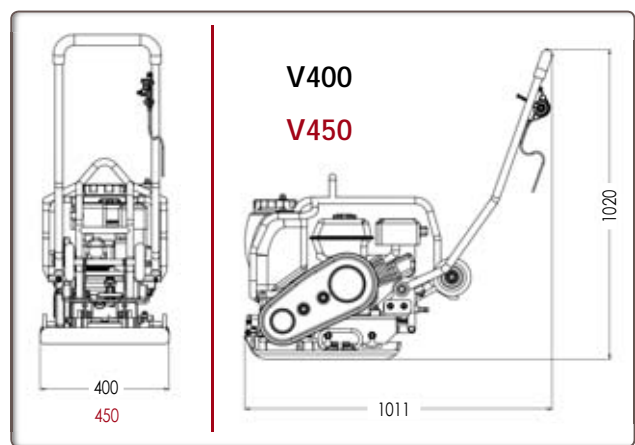
V400



V450

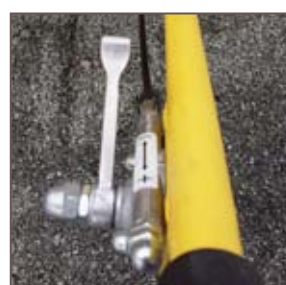
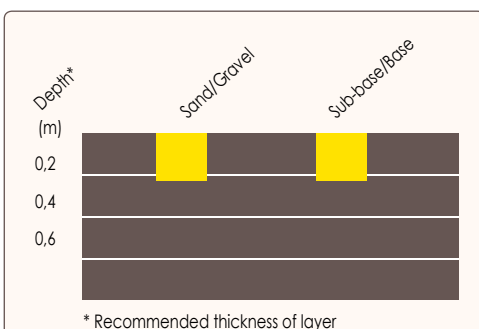
FEATURES AND BENEFITS

- Straight, centre-mounted guide handle offers superior manoeuvrability and can be lowered within inches of the surface to operate plate under obstacles and form work.
- Many lifting points and front lift cage offer easier loading and unloading for operator convenience.
- Compact design, easy to use, cast bottom plate.
- Smooth and flexible.
- Throttle mounted on the operating handle.



	Code	V400COMBI	V450H2
	Model	V400 COMBI	V450 COMBI
	Operating mass (kg)	92	92
	Centrifugal force (kN)	14	14
	Plate width (mm)	450	450
	Engine brand	Honda GX160	Honda GX160
	Power hp (kW)	5,5 (4,1)	5,5 (4,1)
	Water tank (L)	13	13
	Speed (m/min)	21	21
	Amplitude (mm)	0,89	0,89
	Frequency (Hz)	95	95
	Sound pressure level dB (A)	91	91
	Vibrations* (m/s ²)	2,62	2,62
	Surface capacity (m ² /h)	685	685

* Minimum vibration levels measured to EN500-4



OPTION : PAVING PAD

Code PPV-PAD400

Code PPV-PAD450

COMPACTION

MOBILE EQUIPMENT

CONCRETE EQUIPMENT

SURFACING

CUTTING - GRINDING