

ROLPAV 120

Professional compacting of slabs, pavers and natural stone

The perfect solution for compacting stone pavers in all kind of formats and materials.

A high capacity machine that levels and compacts stones without breaking the material or edges.

This machine has been designed specifically for the challenging task of compacting slabs, pavers and natural stone.

ROLPAV produces vibration over surfaces with exceptional ease and gentleness. The smooth mode of operation embeds the material properly, while preventing shifting, cracking or chipping of stones. It minimizes dust that usually is created from compacting polymeric jointing sands. Polyurethane rubber coated rollers protect the surface at all times.

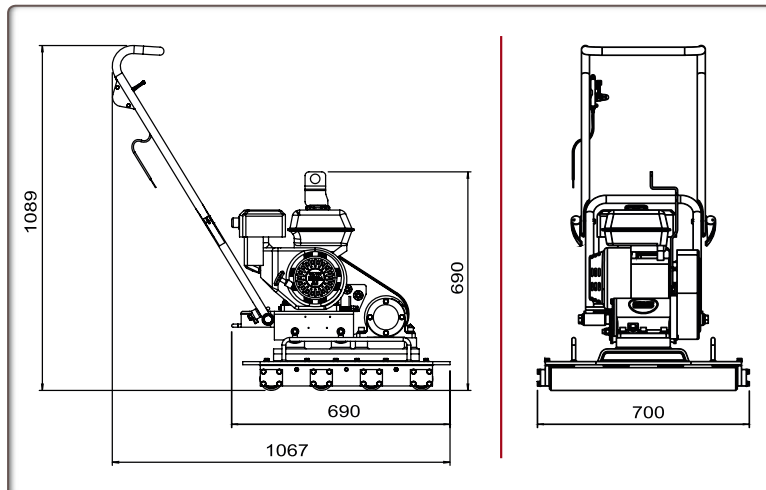


FEATURES AND BENEFITS

- Suitable for compacting pavers and slabs of large format.
- Allows compaction without scratching the slab or pavement.
- Effective work even in hard to reach areas.
- Optimal weight distribution thanks to the four polyurethane rollers.
- Throttle mounted on the foldable operating handle.
- Centrally placed lifting eye.
- Honda GX160 engine.

Code	ROLL-GX160
Model	ROLPAV120
Dimensions L x W x H (mm)	1067 x 700 x 1089
Operating weight (kg)	123
Surface size L x W (mm)	655 x 620
Vibration frequency (Hz)	110
Centrifugal force (kN)	14,5
Compaction area (m ² /h)	600-700
Engine	Honda GX160
Power Hp (kW)	5,5 (4)

POWERED by
HONDA
norm SAE J1349



COMPACTOR

MOBILE EQUIPMENT

CONCRETE EQUIPMENT

SURFACING

CUTTING - GRINDING