

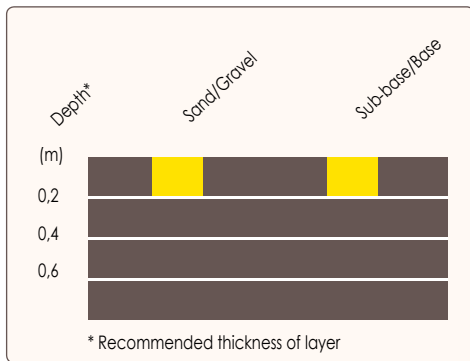
LCC40W

Extra light-weight compactor

Designed for repair in confined areas, these plates are ideal for curbs, gutters, block paving around houses, tanks, forms, columns, footings, guard railings, drainage ditches, gas, sewer works and building works.



Ultra compact design

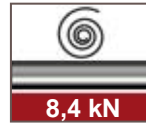
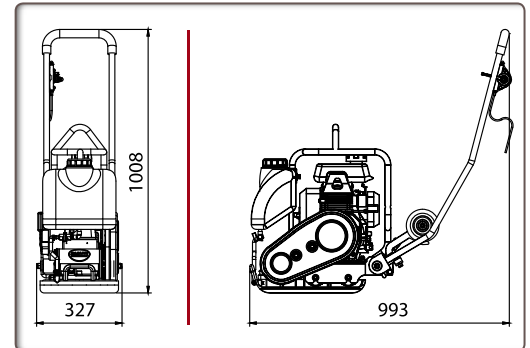


Low hand/arm vibration



FEATURES AND BENEFITS

- Special contoured surfaces, rounded edges and its low weight provide maximum performance and manoeuvrability.
- Completely enclosed belt protected by a light-weight beltguard for reduced wear and minimal service.
- Exciter bearing design requires minimal maintenance for improved productivity.
- Ergonomically designed foldable handles offer easier loading and unloading for operator during transport.
- Low HAV mechanism.
- Throttle cable mounted on the operator handle.



Code	LCC40W
Model	LCC40W
Operating mass (kg)	40
Centrifugal force (kN)	8,4
Plate width (mm)	320
Engine	Honda GX100
Power hp (kW)	3 (2,3)
Water tank (L)	6
Speed (m/min)	21
Amplitude (mm)	0,89
Frequency (Hz)	95
Sound pressure level dB (A)	89
Vibrations* (m/s ²)	3,0
Surface capacity (m ² /h)	525

* Minimum vibration levels measured to EN500-4



Transport wheels

COMPACTION

MOBILE EQUIPMENT

CONCRETE EQUIPMENT

SURFACING

CUTTING - GRINDING